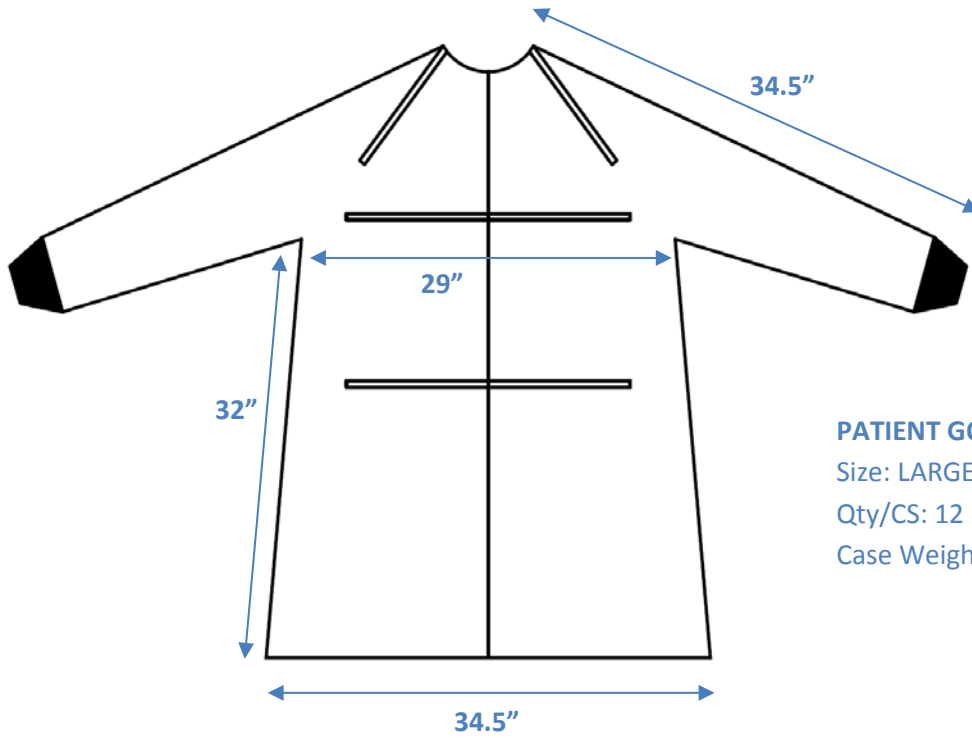
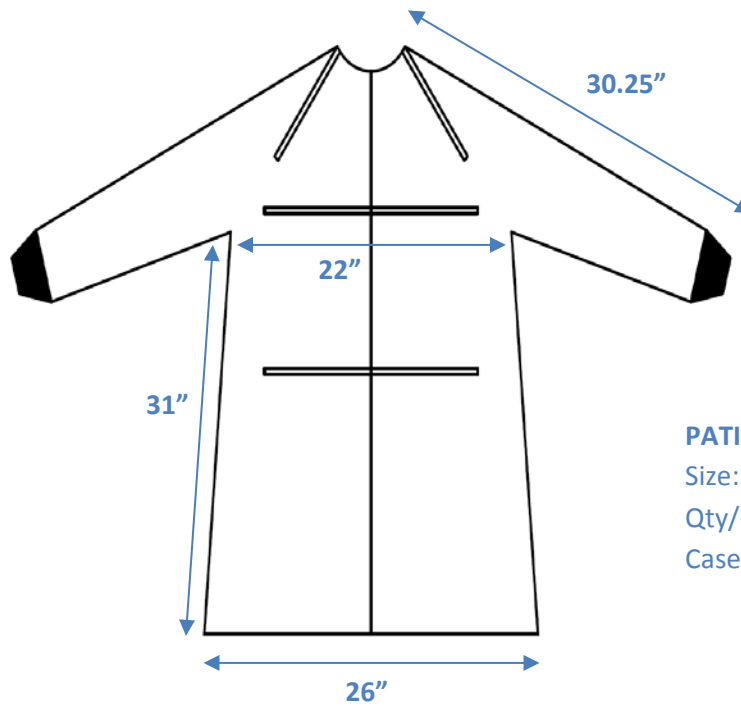




GOWN SPECIFICATIONS



PATIENT GOWN
Size: LARGE/X-LARGE
Qty/CS: 12
Case Weight: 19.25 lbs



PATIENT GOWN
Size: SMALL/MEDIUM
Qty/CS: 12
Case Weight: 14 lbs